

gKENT

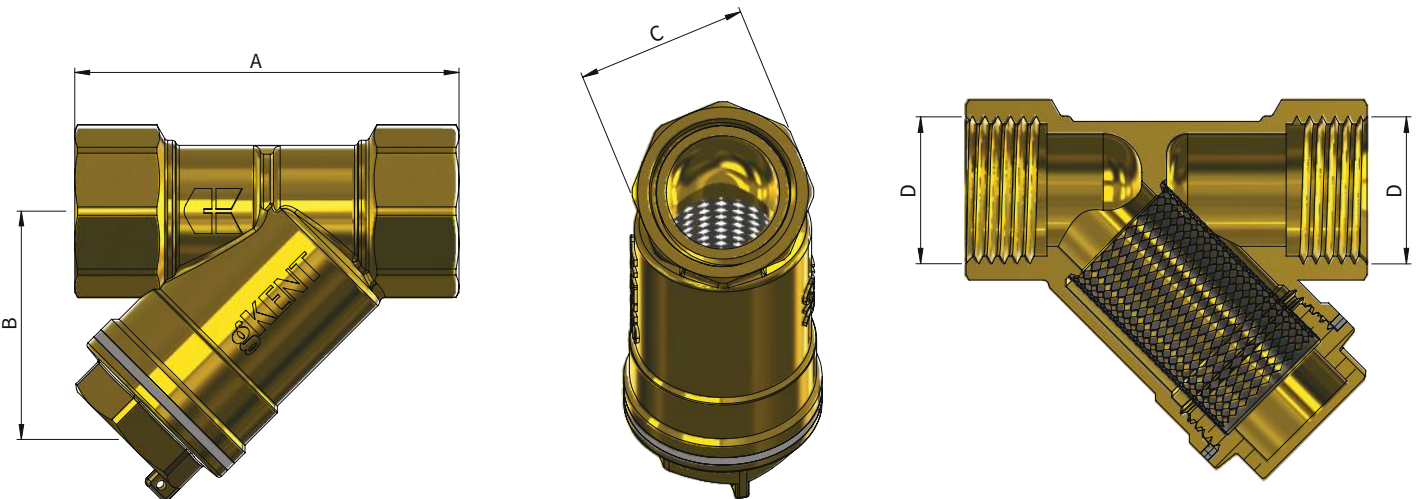
Y-Strainer

Technical Specification:

Specification	DN15 (1/2 inch)	DN20 (3/4 inch)	DN25 (1 inch)	DN32 (1 1/4 inch)	DN40 (1 1/2 inch)
Nominal Pressure	PN16				
Working Temperature, °C	≤ 50				
Application Medium	Potable Water				
Material	HPb 57-3				

Dimension:

	A	B	C	D	E
A	53	61.5	90.5	96	108
B	33.5	36.5	46.5	56	62.5
C	24	29.5	38.5	47.5	54.5
D	G1/2	G3/4	G1	G1 1/4	G1 1/2



* All dimensions are in "mm" unless otherwise stated



We take pride in being **Your Trusted Engineering Partner.**
Find out more about us at www.georgekent.net